

Technical Specifications

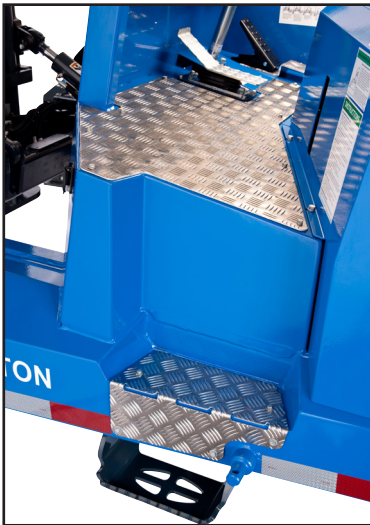
Princeton PB55



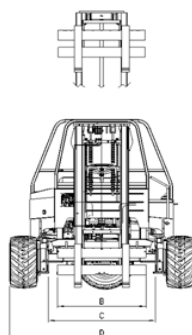
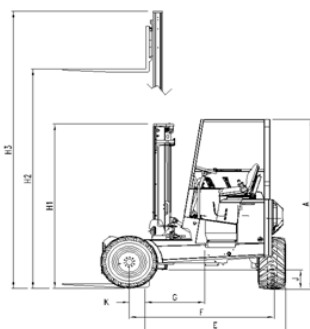
PRINCETON
DELIVERY SYSTEMS®



Princeton PB55



Model	PB55
TYPE	Standard
1 CAPACITY @ 24" LOAD CENTER	5500 lbs
2 DIESEL ENGINE	56 HP
3 ENGINE EMISSION COMPLIANCE	EPA Tier4 Final
4 MAXIMUM RPM	2600 RPM
5 ELECTRICAL SYSTEM	12 Volt
6 DRIVE WHEELS	3
7 STEERING	Hydrostatic
8 TIRE TYPE	31 x 15.5 - 15 8-Ply (TG)
	31 x 15.5 - 15 8-Ply (TG)
9 TIRE OUTSIDE DIAMETER	31"
10 TIRE WIDTH	15.5"
11 MAXIMUM SPEED	7 mph
12 MAXIMUM GRADABILITY	30%
13 TURNING RADIUS	86"
14 UNLADEN WEIGHT	6670 lbs
14a UNLADEN WEIGHT (Optional)	6820 lbs
15 WORKING PRESSURE (Attachments)	2500 psi
16 TILT OF MAST (Forward/Backward)	10° / 8°
17 SIDESHIFT	5"
18 FORK SECTION	45 x 4 x 1.75"
19 MAST CARRIAGE TRAVEL	25"
A HEIGHT TO TOP OF CANOPY	101"
B FORK CARRIAGE WIDTH	48.25" (II)
C FRAME OPENING	57.75"
D OVERALL WIDTH	101"
E OVERHANG	80"
F WHEELBASE	77.5"
G CENTER OF GRAVITY (From Fork Face)	26.5"
H1 LIFT HEIGHT	120"
H2 MAST HEIGHT - COLLAPSED	97.25"
H3 MAST HEIGHT - RAISED	157"
H1a LIFT HEIGHT	144"
H2a MAST HEIGHT - COLLAPSED	109.25"
H3a MAST HEIGHT - RAISED	181"
J GROUND CLEARANCE	11"
K FACE OF FORK TO CENTER OF FRONT TIRE	9"
L ANSI STANDARD	B56.6



The above specifications are not binding upon the manufacturer and may be changed without prior notice.

Weights may vary, depending on tire and/or fork options



Princeton Delivery Systems
 12233 Williams Road
 Perrysburg, OH 43551 USA
 tel 1.800.331.5851
www.piggy-back.com