

# 17G/26G

1720–2770 kg (3,790–6,110 lb.) Operating Weight



**JOHN DEERE**





A yellow excavator bucket is shown in the process of dumping a large amount of dark, rich soil into a large pile. The excavator's arm and bucket are positioned in the upper right quadrant of the frame. The background consists of a dense forest of trees with green and yellow foliage, suggesting an autumn setting. The lighting is bright, casting shadows on the soil pile.

# Minimum footprint, maximum versatility.

Need a compact machine to get big results? Choose a 17G or 26G. Their small stature and rubber tracks enable them to navigate nimbly. And their reduced-tail-swing configuration, independent-swing boom, and 360-deg. rotation let operators work with ease in tight spaces and around obstacles. But it's not just their size and shape that make them such valuable assets. Noticeably quiet EPA Final Tier 4/EU Stage IV diesel engines meet rigid emission standards, so you can put these two to work almost any place, any time. Equipped with standard blade and mechanical quick-coupler, plus a wide variety of optional Worksite Pro™ attachments, they can make a sizable impact on your abilities. As well as your bottom line.





Key Specifications	17G	26G
Net Power	10.8 kW (14.5 hp)	14.9 kW (20.0 hp)
Maximum Digging Reach	3.81 m (12 ft. 6 in.)	4.63 m (15 ft. 2 in.)
Maximum Digging Depth	2.19 m (7 ft. 2 in.)	2.59 m (8 ft. 6 in.)
Operating Weight	1720 kg (3,790 lb.)	2620 kg (5,780 lb.) canopy / 2770 kg (6,110 lb.) cab



# Surprisingly spacious, comfortably capable.

Step aboard these G-Series Excavators and you'll quickly discover that compact doesn't have to mean uncomfortable. Their ergonomically designed operator stations won't cramp your legs, or your style. Seat and controls are optimally positioned to accommodate even larger operators. And nearly unobstructed visibility provides a commanding view of the surrounding jobsite. For cold-weather comfort, the 26G is available with an enhanced new heated cab that's even more spacious and easier to enter and exit than ever before.

26G entryway is wider. Optional cab's front glass is noticeably more expansive. Single-panel door further enhances the view and latches securely for open-door machine operation.

Wide control spacing and adjustable seats and wrist rests provide daylong comfort. Suspension seat comes standard.

Swing boom and foldable travel pedals on the 26G are positioned to provide efficient operation while maximizing foot room.

Track speeds automatically slow to low whenever a heavier load is encountered, then return to high when the load normalizes. No pedal or operator activation is required for 26G high-speed travel.





1. Go from backhoe- to excavator-style controls with just a twist of your wrist. Control pattern selector valve is conveniently located in a compartment beneath the seat and includes a sight glass that displays the selected pattern.
2. Low-effort pilot controls deliver exceptionally smooth, combined-function performance. So even unfamiliar operators become proficient more quickly.
3. Automotive-style vents in the optional 26G cab allow an operator to direct airflow where it's needed most, for fatigue-beating comfort.



# Their possibilities are nearly endless.

Compact, yet highly capable, these do-it-alls stand tall on a wide range of jobsites. In fact, they may well be the difference makers you need to put more opportunities within reach, and more profit in your pocket. Take the 17G, for example. Its retractable undercarriage and foldable blade narrow to just 0.98 m (3 ft. 3 in.), letting you take hydraulic muscle to places that might otherwise require manual labor. For tasks that demand something other than a bucket, your John Deere dealer offers a wide variety of Worksite Pro breakers, augers, and numerous other attachments — smart additions that can help expand your equipment utilization, as well as your business.

Worksite Pro augers can be equipped with numerous sizes of rock, heavy-duty, standard, and tree/shrub bits.

Available hydraulic-activated thumb helps retain material in the bucket and is a valuable addition for hardscape tasks such as setting stones.

Return-flow selector valve and boom-mounted auxiliary hydraulic lines accommodate both one- and two-way hydraulic-driven attachments.

Bust through blacktop, concrete, or other hard surfaces with a Worksite Pro breaker. Optional window screens help guard the cab and operator from flying debris.

Already own some John Deere buckets and Worksite Pro attachments? D-Series Excavator buckets, breakers, and augers also work on the 17G and 26G, as well as other Deere machines. So you can make the most of your investment.

1. Backfill blade adds versatility, enabling the 17G and 26G to ably grade and fill. Provides extra stability with attachments or when working on uneven terrain, too.
2. Manual wedge-style quick-coupler speeds switchover, changing from buckets to other attachments in just minutes.

3. 17G's variable-width undercarriage and foldable blade can be hydraulically retracted to navigate narrow pathways and tight quarters, then easily repositioned for solid stability.











# Compact size, big durability.

Just because they don't dig 30 feet deep like our large excavators doesn't mean these highly capable compacts are any less reliable. In fact, many of the same durability features that give our bigger machines their impressive uptime are also yours in a 17G and 26G. Unique advantages such as oil-impregnated boom, arm, and bucket bushings help deliver unsurpassed long-term longevity. And heavy-duty side-by-side coolers enhance efficiency in high-ambient or -altitude working conditions. When you know how they're built, you'll run a Deere.





Wet-disc swing brake provides long-term maintenance-free performance.

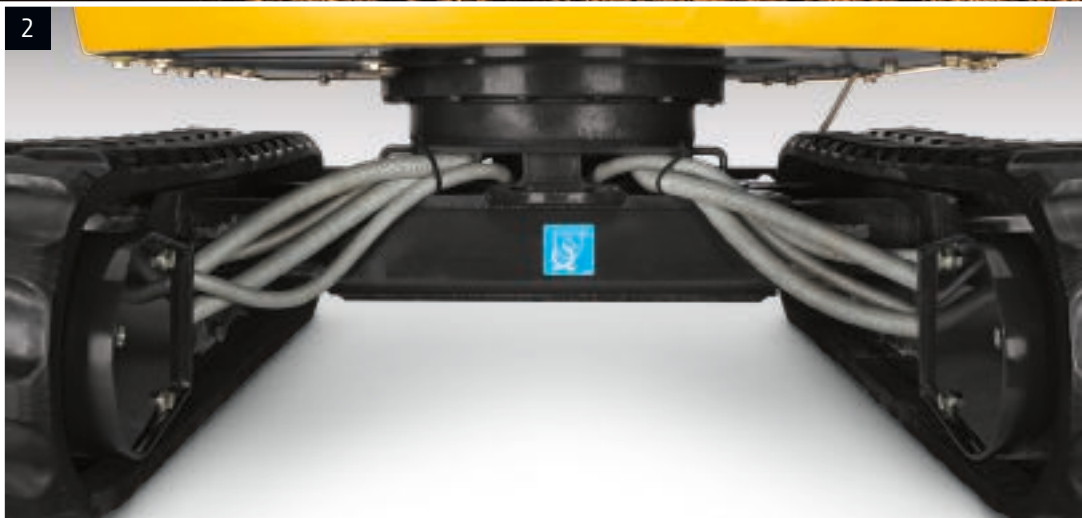
O-ring face-seal hydraulic fittings virtually eliminate aggravating and costly leaks.

Self-priming diesel helps you get back up and running quickly should your excavator ever run out of fuel.

Heavy-duty side shields deflect material and impacts, protecting propel motors and boom and blade cylinders.

1. Steel hydraulic lines are clamped securely; Cordura® covering on rubber hoses provides extra durability.

2. Box-constructed X-frame and track frames provide a rock-solid and stable platform that resists material and dirt buildup.





# Won't bust your tail, or your bottom line.

You'll discover everything you need to increase uptime and reduce daily operating costs in a G-Series. From extended fluid and lubrication intervals, to easy-open hinged panels and sight gauges that speed daily checks, maintenance and expense are minimal. And, of course, industry-leading parts and service are readily available at more than 1,300 John Deere Commercial Worksite Products dealers throughout North America.

No tools are needed to access daily or periodic checkpoints. Hinged steel doors swing open wide, for quick and easy service.

High-torque fuel-efficient diesels meet EPA Final Tier 4/EU Stage IV emission standards without aftertreatment devices — reducing maintenance and expense.

Oil-impregnated bushings extend grease intervals to 500 hours for the arm-and-boom joint and 100 hours for the bucket. Convenient lube/maintenance chart helps ensure that nothing gets overlooked.

A simple grease gun and wrench are all it takes to quickly maintain proper track tension.



1. Hydraulic-fluid sight gauge and see-through engine-coolant reservoir allow quick checks at a glance.

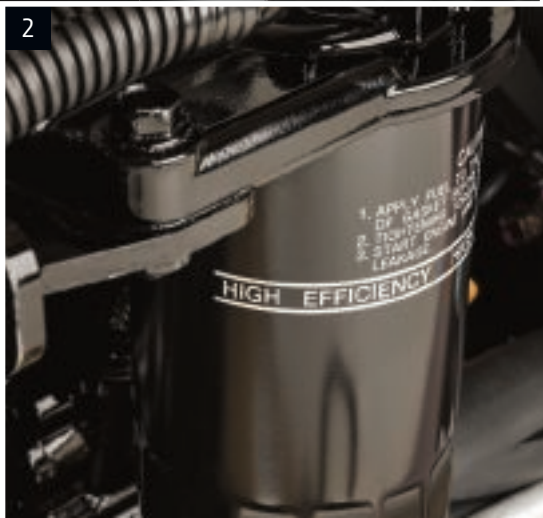
2. Spin-on filters make fluid changes quicker and cleaner. 2,000-hour hydraulic-oil and 250-hour engine-oil intervals increase uptime and decrease expense.

3. Side-by-side coolers resist trash buildup and allow easier core cleanout. Access is quick and convenient.

4. Rubber tracks' unique steel cores resist cracking. Large-diameter drive sprockets and track idlers further increase undercarriage durability.









# 17G

<b>Engine</b>		<b>17G</b>
Manufacturer and Model	Yanmar 3TNV74F	
Non-Road Emission Standard	EPA Final Tier 4/EU Stage IV	
Displacement	0.99 L (61 cu. in.)	
Net Power (ISO 9249)	10.8 kW (14.5 hp) at 2,400 rpm	
<b>Powertrain</b>		
Each track independently driven by hydrostatic axial-piston motor connected to 2-stage planetary gear reduction box		
<b>Maximum Travel Speed</b>		
Low	2.4 km/h (1.5 mph)	
High	4.2 km/h (2.6 mph)	
Swing Speed	9.4 rpm	
Swing Brake	Spring applied, hydraulically released, automatic	
<b>Hydraulics</b>		
Open center with 2 variable-displacement pumps, 1 fixed-gear pump, and 1 pilot pump		
Pump Flow		
Piston	2 x 19.2 L/m (2 x 5.1 gpm)	
Gear	10.98 L/m (2.9 gpm)	
Auxiliary Flow	29.9 L/m (7.9 gpm)	
Controls	Hydraulic pilot operated for boom, arm, bucket, swing, boom swing, blade, travel, and auxiliary functions	
<b>Electrical</b>		
Alternator Rating	40 amp	
Work Lights	1 mounted on boom	
<b>Undercarriage</b>		
Planetary final drive; 2-speed axial-piston propel motors		
Tracks, Rubber	230 mm (9 in.)	
Ground Pressure with Rubber Track	26.6 kPa (3.9 psi)	
<b>Upperstructure</b>		
Independent Swing Boom		
Left	70 deg.	
Right	50 deg.	
Counterweight, Standard	120 kg (265 lb.)	
Rear Overhang	40 mm (2 in.)	
<b>Serviceability</b>		
<b>Refill Capacities</b>		
Fuel Tank	20.06 L (5.3 gal.)	
Cooling System	2.7 L (2.9 qt.)	
Engine Oil with Filter	3.10 L (3.3 qt.)	
Hydraulic Tank	14.01 L (3.7 gal.)	
<b>Operating Weight</b>		
With 0.93-m (3 ft. 1 in.) Standard Arm, Standard Counterweight, Rubber Track, Full Fuel Tank, and 79-kg (175 lb.) Operator	1720 kg (3,790 lb.)	





### Operating Dimensions

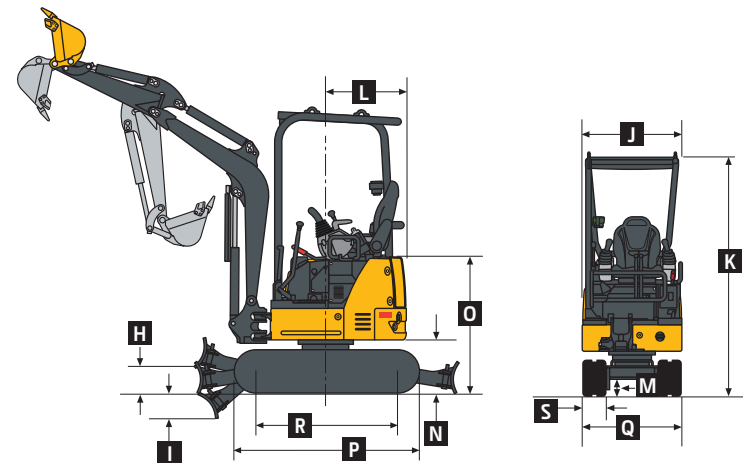
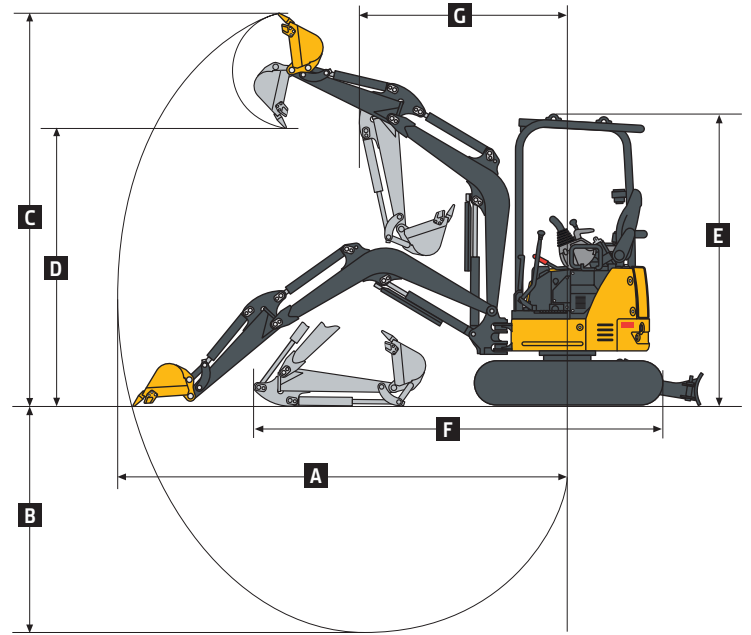
17G

0.93-m (3 ft. 1 in.) Standard Arm  
and Standard Counterweight

A	Maximum Digging Reach	3.81 m (12 ft. 6 in.)
B	Maximum Digging Depth	2.19 m (7 ft. 2 in.)
C	Maximum Cutting Height	3.54 m (11 ft. 7 in.)
D	Maximum Dumping Height	2.51 m (8 ft. 3 in.)
E	Transport Height	2.38 m (7 ft. 10 in.)
F	Overall Length (blade in front)	3.50 m (11 ft. 6 in.)
G	Minimum Swing Radius	1.53 m (5 ft. 0 in.)
H	Blade Bottom Highest Position	0.29 m (11 in.)
I	Blade Bottom Lowest Position	0.23 m (9 in.)
Boom-Swing Pivot-Offset Distance		0.11 m (4 in.)
Offset Distance		
Left		0.36 m (14 in.)
Right		0.56 m (22 in.)
Digging Force		
Bucket		16.0 kN (3,597 lb.)
Arm		8.6 kN (1,933 lb.)

### Machine Dimensions

Blade		
Width		
Minimum		0.98 m (3 ft. 3 in.)
Maximum		1.28 m (4 ft. 2 in.)
Height		260 mm (10.2 in.)
J	Upperstructure Width	0.99 m (3 ft. 3 in.)
K	Overall Height	2.38 m (7 ft. 10 in.)
L	Rear-End Swing Radius	0.68 m (2 ft. 3 in.)
M	Minimum Ground Clearance	0.165 m (6 in.)
N	Counterweight Height	0.45 m (18 in.)
O	Engine Cover Height	1.15 m (3 ft. 9 in.)
P	Undercarriage Length	1.57 m (5 ft. 2 in.)
Q	Undercarriage Width	
Minimum		0.98 m (3 ft. 3 in.)
Maximum		1.28 m (4 ft. 2 in.)
R	Sprocket Center to Idler Center	1.21 m (4 ft. 0 in.)
S	Track Shoe Width	0.23 m (9 in.)



### Lift Capacities

0.93-m (3 ft. 1 in.) Standard Arm, Standard  
Counterweight, and Rubber Track

Ground Level at 3.0-m (10 ft.) Radius

Over Front\*

471 kg (1,015 lb.)

Over Side

217 kg (470 lb.)

\*Blade down (limited by hydraulics).



# 26G



<b>Engine</b>		<b>26G</b>	
Manufacturer and Model	Yanmar 3TNV80F		
Non-Road Emission Standard	EPA Final Tier 4/EU Stage IV		
Displacement	1.267 L (77 cu. in.)		
Net Power (ISO 9249)	14.9 kW (20.0 hp) at 2,500 rpm		
<b>Powertrain</b>			
Each track independently driven by hydrostatic axial-piston motor connected to 2-stage planetary gear reduction box			
<b>Maximum Travel Speed</b>			
Low	2.9 km/h (1.8 mph)		
High	4.5 km/h (2.8 mph)		
Swing Speed	9.1 rpm		
Swing Brake	Spring applied, hydraulically released, automatic		
<b>Hydraulics</b>			
Open center with 2 variable-displacement pumps, 1 fixed gear pump, and 1 pilot pump			
<b>Pump Flow</b>			
Piston	2 x 36.0 L/m (2 x 7.9 gpm)		
Gear	16.28 L/m (4.3 gpm)		
Auxiliary Flow	46.18 L/m (12.2 gpm)		
Controls	Hydraulic pilot operated for boom, arm, bucket, swing, boom swing, blade, travel, and auxiliary functions		
<b>Electrical</b>			
Alternator Rating	40 amp		
<b>Work Lights</b>	2 halogen, 1 mounted on operator station, and 1 mounted on boom		
<b>Undercarriage</b>			
2-speed axial-piston propel motors			
Tracks, Rubber	300 mm (12 in.)		
Ground Pressure with 1.17-m (3 ft. 10 in.) Standard Arm, Standard Counterweight, and Rubber Track			
Canopy	25.0 kPa (3.6 psi)		
Cab	25.9 kPa (3.8 psi)		
<b>Upperstructure</b>			
Independent Swing Boom w/ 1.17-m (3 ft. 10 in.) Standard Arm			
Left	Canopy and 241-kg (531 lb.) Standard Counterweight		Cab and 208-kg (459 lb.) Standard Counterweight
Right	70 deg.		70 deg.
	60 deg.		60 deg.
<b>Serviceability</b>			
<b>Refill Capacities</b>			
Fuel Tank	34.07 L (9.0 gal.)		
Cooling System	3.12 L (3.3 qt.)		
Engine Oil with Filter	3.69 L (3.9 qt.)		
Hydraulic Tank	23.85 L (6.3 gal.)		
<b>Operating Weights</b>			
With 1.17-m (3 ft. 10 in.) Standard Arm, Rubber Track, Standard Counterweight, Full Fuel Tank, and 79-kg (175 lb.) Operator			
Canopy	2620 kg (5,780 lb.)		
Cab	2770 kg (6,110 lb.)		



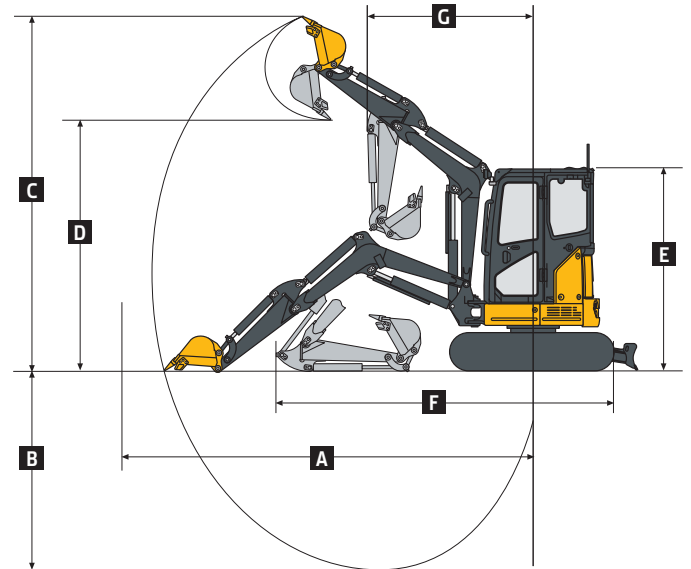


### Operating Dimensions

26G

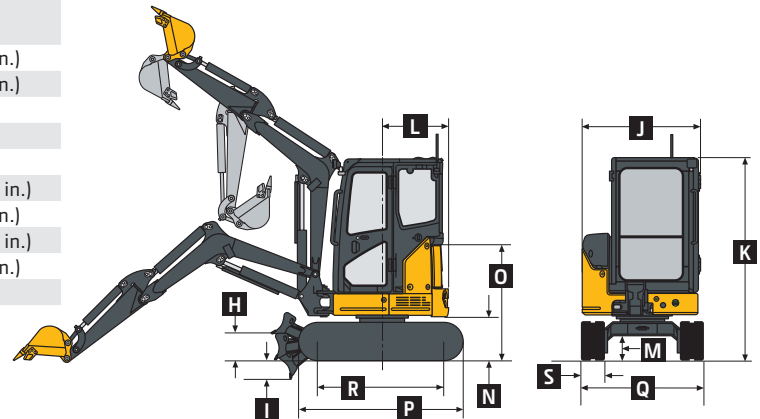
1.17-m (3 ft. 10 in.) Standard Arm and Standard Counterweight

	Canopy	Cab
<b>A</b> Maximum Digging Reach	4.63 m (15 ft. 2 in.)	4.63 m (15 ft. 2 in.)
<b>B</b> Maximum Digging Depth	2.59 m (8 ft. 6 in.)	2.59 m (8 ft. 6 in.)
<b>C</b> Maximum Cutting Height	4.44 m (14 ft. 7 in.)	4.28 m (14 ft. 1 in.)
<b>D</b> Maximum Dumping Height	3.19 m (10 ft. 6 in.)	3.04 m (10 ft. 0 in.)
<b>E</b> Transport Height	2.43 m (8 ft. 0 in.)	2.43 m (8 ft. 0 in.)
<b>F</b> Overall Length		
Blade in Front	4.18 m (13 ft. 9 in.)	4.18 m (13 ft. 9 in.)
Blade in Rear	4.48 m (14 ft. 8 in.)	4.48 m (14 ft. 8 in.)
<b>G</b> Minimum Swing Radius	1.92 m (6 ft. 4 in.)	2.01 m (6 ft. 7 in.)
<b>H</b> Blade Bottom Highest Position	0.32 m (13 in.)	0.32 m (13 in.)
<b>I</b> Blade Bottom Lowest Position	0.32 m (12 in.)	0.32 m (12 in.)
Boom-Swing Pivot-Offset Distance	0.09 m (3 in.)	0.09 m (3 in.)
Offset Distance		
Left	0.56 m (22 in.)	0.56 m (22 in.)
Right	0.70 m (28 in.)	0.70 m (28 in.)
Digging Force		
Bucket	22.21 kN (4,994 lb.)	22.21 kN (4,994 lb.)
Arm	15.17 kN (3,410 lb.)	15.17 kN (3,410 lb.)



### Machine Dimensions

Blade		
Width	1.50 m (4 ft. 11 in.)	
Height	320 mm (12.6 in.)	
1.17-m (3 ft. 10 in.) Standard Arm and Standard Counterweight		
	Canopy	Cab
<b>J</b> Upperstructure Width	1.39 m (4 ft. 7 in.)	1.42 m (4 ft. 8 in.)
<b>K</b> Overall Height	2.43 m (8 ft. 0 in.)	2.43 m (8 ft. 0 in.)
<b>L</b> Rear-End Swing Radius	0.80 m (31 in.)	0.80 m (31 in.)
<b>M</b> Minimum Ground Clearance	0.30 m (12 in.)	0.30 m (12 in.)
<b>N</b> Counterweight Height	0.53 m (21 in.)	0.53 m (21 in.)
<b>O</b> Engine Cover Height	1.49 m (4 ft. 11 in.)	1.47 m (4 ft. 10 in.)
<b>P</b> Undercarriage Length	1.96 m (6 ft. 5 in.)	1.96 m (6 ft. 5 in.)
<b>Q</b> Undercarriage Width	1.50 m (4 ft. 11 in.)	1.50 m (4 ft. 11 in.)
<b>R</b> Sprocket Center to Idler Center	1.53 m (5 ft. 0 in.)	1.53 m (5 ft. 0 in.)
<b>S</b> Track Shoe Width	0.30 m (12 in.)	0.30 m (12 in.)



### Lift Capacities

1.17-m (3 ft. 10 in.) Standard Arm, Standard Counterweight, and Rubber Track

	Canopy		Cab	
	Over Front*	Over Side	Over Front*	Over Side
<b>Ground Level at 3.0-m (10 ft.) Radius</b>	1200 kg (2,573 lb.)	362 kg (781 lb.)	1201 kg (2,592 lb.)	394 kg (850 lb.)

\*Blade down (limited by hydraulics).



# Additional equipment

Key: ● Standard ▲ Optional or special

See your John Deere dealer for further information.

17G	26G	Engine
●	●	Meets EPA Final Tier 4/EU Stage IV emissions
●	●	Engine coolant to -37 deg. C (-34 deg. F)
●	●	Engine preheater
●	●	Fan guard
●	●	Fuel/water separator
●	●	Full-flow oil filter
●	●	Isolation mounted
●	●	Key start switch with electric fuel shutoff
●	●	Single dry-type air filter
●	●	Under-hood muffler
		<b>Hydraulic System</b>
●		Auxiliary function foot control
	●	Auxiliary function right-hand pilot-lever control
●	●	Auxiliary hydraulic lines to end of boom
●	●	Auxiliary return-flow selector valve
●	●	Axial-piston swing motor
●	●	Boom-swing foot control
●	●	Excavator-to-backhoe control pattern change valve
●	●	Open center with 2 variable-displacement pumps, 1 fixed-gear pump, and 1 pilot pump
●	●	Hydraulic pilot-operated controls for boom, arm, bucket, swing, boom swing, blade, and travel
●	●	Wet-disc swing brake
		<b>Undercarriage</b>
●		Hydraulic-adjustable variable width
●	●	Planetary final drive

17G	26G	Undercarriage (continued)
●	●	Propel motor shield
●	●	2-speed axial-piston propel motors
	●	Rubber track, 230 mm (9 in.)
	●	Rubber track, 300 mm (12 in.)
		<b>Upperstructure</b>
●	●	360-deg. rotation
●		Counterweight, 120 kg (265 lb.)
	●	Counterweight, cab, 208 kg (459 lb.)
	●	Counterweight, canopy, 241 kg (531 lb.)
●	●	Hinged service-access doors
●	●	ROPS/TOPS/FOPS (canopy)
	▲	ROPS/TOPS/FOPS cab with heater
●	●	Vandal protection for service doors and fuel cap
●	●	Reduced-tail-swing configuration
		<b>Front Attachments</b>
●		Arm, 0.93 m (3 ft. 1 in.)
	●	Arm, 1.17 m (3 ft. 10 in.)
●		Backfill blade, 0.98 m (3 ft. 3 in.) minimum to 1.28 m (4 ft. 2 in.) maximum
	●	Backfill blade, 1.50 m (4 ft. 11 in.)
●		Boom, 1.82 m (6 ft.)
	●	Boom, 2.10 m (6 ft. 11 in.)
●	●	Mechanical quick-coupler
▲		Augers: Chain drive / Bits / Bit adapters
	▲	Augers: Planetary / Chain drive / Bits / Bit adapters
▲	▲	Clamp
▲	▲	Hammers: Points / Tools
▲	▲	Quick-coupler buckets: Bucket teeth / Ditching / Heavy-duty

17G	26G	Operator's Station
●	●	Horn
●	●	Hour meter
●	●	Instrumentation lights
●	●	Monitor system: Preheat indicator / Engine oil pressure warning light / Alternator charge warning light / Fuel gauge and low-fuel-level indicator / Engine coolant warning light and alarm / Hour meter / Work lights indicator
●	●	Motion alarm with cancel switch
●	●	Work lights switch
●		Propel levers
	●	Propel levers and foldable pedals
	●	2 travel speeds
	●	2 travel speeds with automatic shifting
●	●	Seat belt, 51 mm (2 in.), retractable
●	●	Vinyl seat with fore/aft adjustment (canopy models only)
	●	Suspension seat
▲	▲	Front screen
		<b>Electrical</b>
●	●	12-volt accessory outlet
●	●	Alternator, 40 amp
●	●	Low-maintenance battery
●	●	Blade-type multi-fused circuits
●	●	Positive-terminal battery covers
		<b>Lights</b>
●		Work lights: 1 mounted on boom
	●	Work lights: Halogen / 1 mounted on operator's station / 1 mounted on boom

Net engine power is with standard equipment including air cleaner, exhaust system, alternator, and cooling fan at test conditions per ISO 9249. These machines are not equipped with spark-arrestor mufflers. Usage in forestry applications is not recommended. Specifications and design subject to change without notice.

Wherever applicable, specifications are in accordance with SAE standards. Except where otherwise noted, these specifications are based on canopy units with standard arms, full fuel tanks, and 79-kg (175 lb.) operators; a 17G unit with 406-mm (16 in.) bucket, 230-mm (9 in.) rubber track, and 120-kg (265 lb.) counterweight; and a 26G unit with 457-mm (18 in.) bucket, 300-mm (12 in.) rubber track, and 208-kg (459 lb.) cab counterweight or 241-kg (531 lb.) canopy counterweight.

