

# 444K LOADER

92 kW (124 net hp)



JOHN DEERE





# Do. More.

Got a material-handling app that demands extra agility and ability? Put a John Deere 444K Loader to work on that. Built on the proven platform of its predecessor, this enhanced K-Series utility version is loaded with even more customer-inspired productivity- and uptime-increasing features. Its EPA Final Tier 4 (FT4)/EU Stage IV PowerTech™ diesel engine enables it to work, everywhere there's work — without compromising power, reliability, or ease of operation. Daily checks and maintenance access are even easier. Plus, you'll continue to profit from unique advantages such as our one-of-a-kind. Quad-Cool™ design for best-in-class service ease. And a solid-state electrical system with sealed-switch module for unsurpassed reliability and fingertip control of numerous machine functions. Get more in our 444K.



Specifications	444K
Net Peak Power	92 kW (124 hp)
Bucket Capacity Range	1.5–3.1 m <sup>3</sup> (2.0–4.0 cu. yd.)
Z-Bar: Tipping Load (40-deg. full turn, no tire deflection)	8080 kg (17,813 lb.)
Breakout Force	7960 kg (17,549 lb.)
Operating Weight	11 350 kg (25,022 lb.)

# Long days made shorter.

Time flies when you're getting things done. And what operator wouldn't be more productive in the high-back air-ride seat of a 444K Loader? Up-front, an enhanced multifunction monitor displays operating, diagnostic, and maintenance info on a color LCD screen with easy-on-the-eyes clarity. Generous tinted glass and a low-profile console allow a commanding view of the work ahead. The spacious and quiet cab boasts plenty of legroom and fatigue-beating ergonomics, including convenience features such as seat-mounted loader controls. And sealed-switch module (SSM) with keyless start and effortless push-button operation of numerous machine functions. For more productivity without extra effort.

Adjustable automotive-style louvers provide effective airflow to keep the glass clear and the pressurized cab comfortable.

Entertainment/information choices include an AM/FM/WB/XM Satellite Radio™ with remote auxiliary and USB ports and Bluetooth® connectivity.

Keyless-start security system requires a numeric pass code (when activated). Helps prevent unauthorized machine operation.

Available premium heated air-ride armchair seat adjusts multiple ways for extra comfort and cushioning.

Conveniently positioned brake and throttle pedals allow plenty of legroom for easy entrance and exit.



Multi-language color LCD monitor provides push-button access to a wealth of machine info and control:

- A. Vital and general operating info**, including transmission mode, gear, engine rpm, ground speed, fuel and diesel exhaust fluid (DEF) levels, and fluid temps.
- B. Enhanced onboard diagnostics** with speed, pressure, and temperature readings and real-time switch status.
- C. Customized machine settings** such as Quick Shift, Auto-to-1st, and optional Ride Control let you match operating characteristics to specific jobs and conditions.
- D. Optional embedded payload scale** weighs each bucket load, helping fill trucks to the max.





1. Cooler compartment and beverage holder provide plenty of room to stow your stuff.

2. Optional rearview camera and radar object-detection system or rearview camera only displays the activity behind the machine on the LCD screen. Emits an audible alert for extra awareness in tight quarters and high-traffic areas.

3. Backlit touchpad in the SSM controls keyless start and 24 other machine functions, enabling the operator to activate boom-height kick-out, return-to-carry, and return-to-dig from the seat.



# More power and control mean more productivity.

If you want maximum productivity, a 444K Loader should be on your jobsite. It's not just ample horsepower that makes this machine such an impressive performer. Single-lever joystick or two-lever fingertip controls provide smooth effortless control. Excavator-style hydraulics sense the load and deliver the flow needed for smooth combined functions and fast work cycles. PowerShift™ torque-converter transmission employs smart shift technology to continuously evaluate speed and load conditions, and adjusts clutch-pack engagement to suit. You won't find a smoother-shifting loader.

Boom-height kick-out and return-to-carry functions help speed production in repetitive loading applications. On Powerllel™-equipped model, the touchpad has two presets for added convenience when frequent attachment changeover is required.

Engine/hydraulic match maintains good boom and bucket power into and out of the pile. For big loads, even in wet or packed materials.

Responsive steering and full 80-deg. articulation increase maneuverability in tight quarters, for faster cycle times and fewer three-point turns.

Optional wheel-spin control boosts productivity by improving traction in troublesome material or underfoot conditions. Reduces tire wear, fuel costs, and operator fatigue, too.

Hydraulic system provides only the power required, so there's no wasted horsepower or fuel.

Smart shift ensures that gear changes are smooth as silk, regardless of whether the bucket is empty or fully loaded.





1. Choose single-lever joystick or two-lever fingertip pilot-operated hydraulic controls. Joystick F-N-R selector provides convenient direction and full-range gear changes. Both include innovative Quick-Shift feature for push-button gear changes, one gear at a time.

2. Hinged panel tilts away for quick ground-level access to both the fuel and diesel exhaust fluid (DEF) tanks, making refills convenient and easy.

3. New adaptive clutch cutoff automatically provides more power to the hydraulic system, ensures smooth control at high engine rpms and low speeds, and allows for better machine handling in all terrain without the operator having to change settings.



# Parallel lift that's unparalleled.

The 444K Powerlifter™ Loader delivers both powerful digging forces and parallel lift. Its innovative design allows load forces to work with, not against, the boom. For big breakout force, even in difficult digging. Impressive torque throughout the entire dump and rollback range enables this Powerlifter loader to excel at a wide variety of material-handling tasks. But don't just look for these John Deere advantages in the numbers on a spec sheet. The best way to fully appreciate them is on your jobsite. Whatever the task, whatever the load, you'll discover parallel lift that's without parallel.





Powerllel's unique design separates the bell crank from the cross tube, attaching instead to the loader frame via a Y-shaped link. This "free-floating" bell-crank design allows load forces to work with, not against, the boom. For powerful breakout in tough digging.

Hi-Vis coupler fastens the attachment close to the machine to optimize stability with heavy loads.

Unique Y-link, low-mounted boom cylinders, and Hi-Vis coupler provide clear visibility to the work tool and throughout the lift arc.

Tire and axle options let you equip your Powerllel loader for material-handling work on a wide variety of terrain.

1. The 444K Powerllel Loader delivers outstanding breakout throughout the entire bucket and angle range.
2. John Deere Worksite Pro™ couplers increase versatility and make attachment switchover push-button easy. Hi-Vis coupler picks up a broad range of Deere and other attachments so you can do more with one machine.

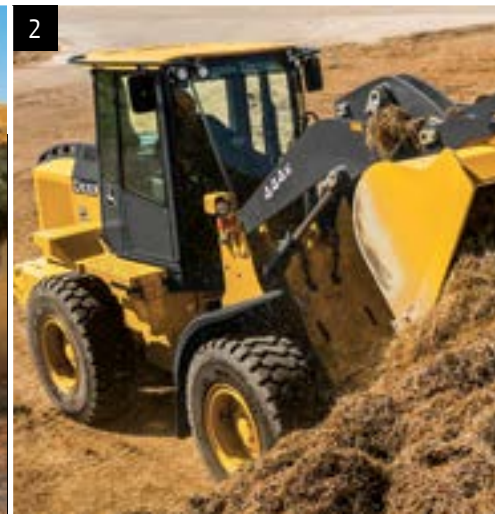


# Purpose-built for a wide variety of purposes.

The 444K Loader comes equipped with plenty of production-boosting features to help you handle almost anything you throw its way. But if yours isn't just any application, we've got you covered with a wide variety of factory- or dealer-installed options. So you can equip your loader with exactly what you need to maximize your efforts and expand your opportunities. See your dealer for specific details on the available options best suited to your operation.

1. With optional ride control, the lift cylinders act as shock absorbers, cushioning bumps to allow this loader to navigate rough ground more quickly without losing the load. Auto-actuation travel speed is adjustable from 1.5 to 24.0 km/h (1.0 to 15.0 mph) in increments of 0.5 units.

2. Automatic differential lock engages as soon as a tire begins to slip. It's ideal for inexperienced operators or applications requiring high traction, such as stockpiling silage, plowing snow, and handling pipe.





General-purpose or excavating buckets are available in pin-on or coupler configurations from 1.5–1.9 m<sup>3</sup> (2.0–2.5 cu. yd.). Or opt for forks with 1.22 - and 1.52-m (48 and 60 in.) tines, depending on model.

Embedded payload scale enables you to fill each truck to its legal limit, for maximum productivity. It's available on Z-Bar and High-Lift models.

Full-tire front and rear fenders and flaps help keep the machine free of mud and debris.

Powered cab pre-cleaner is a smart option in high airborne-debris environments.

Optional corrosion package shields electrical components and connections to help prevent corrosive materials from short-circuiting productivity.

Mine Safety and Health Administration (MSHA)-compliant self-cleaning steps and convenient handrails provide right-side access to the skid-resistant platform for cleaning windows.

Heated mirrors prevent fog and ice from obstructing visibility and impacting productivity.



# Nothing is built like a Deere.

It's all about uptime. So we gave the 444K plenty of resources to help **you** succeed. This loader comes loaded with traditional John Deere durability features. Such as heavy-duty wet-sleeve diesels, Quad-Cool, and solid-state electrical system. Reinforced articulation joints with double-tapered roller bearings. Plus, boom and mainframe so tough they're warranted for three years or 10,000 hours. When you know how its built, you'll run this Deere.

Four steel plates support the loader tower, extending pin life and protecting the boom-cylinder hoses.

Electrical-distribution center employs highly reliable circuit-board technology and solid-state switches that eliminate numerous wiring harnesses, fuses, relays, and connectors. Sealed gold-pin electrical connectors resist corrosion, for superior long-term integrity.

Hydraulically driven fan runs only as needed for efficient cooling. Helps conserve precious fuel, too.

Hydraulic wet-disc brakes self-adjust for sure-footed stops in all underfoot conditions.

Standard starter protection limits cranking time and requires cool-down periods between attempts.

Standard features such as bypass-start protection, automatic park brake, convenient handholds, and slip-resistant steps help keep the operator out of harm's way.

Auto-idle applies the brakes and automatically reduces engine speed to help conserve fuel after an operator-determined period of inactivity. Auto shutdown turns off the engine after extended idleness.



1. Sealed-switch module keeps out dust, moisture, and debris, and virtually never wears out. Proven marine-grade touchpad eliminates rocker switches and nearly 100 wires, and unsealed connections provide even longer life.

2. Quad-Cool places the radiator, air-conditioner condenser, intercooler, and hydraulic, transmission, and optional axle coolers in a unique boxed configuration that's isolated from engine heat. For increased efficiency and durability.

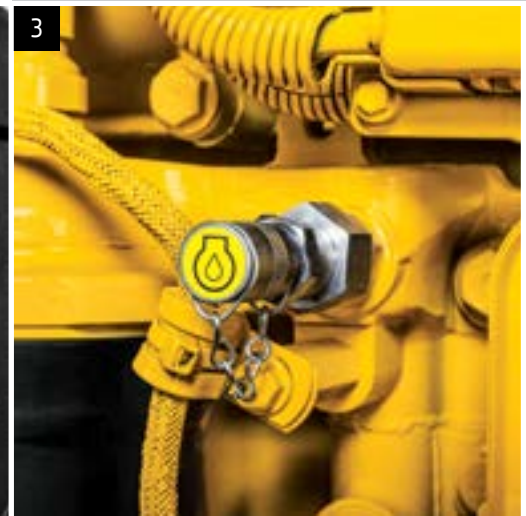
3. Optional programmable fan automatically reverses at predetermined intervals, ejecting debris from the radiator and cooler cores. Or set your own cleaning cycles through the monitor.



# Stretches your dollars, not your service techs.

Controlling daily owning and operating costs shouldn't be a reach — and it's not on a 444K Loader. Same-side ground-level service points make quick work of the daily routine. Unique Quad-Cool system provides wide-open access to both sides of the coolers for easy cleanout. Extended service intervals let you work longer between changes. And because no maintenance beats low maintenance, standard self-adjusting serpentine engine belts and wet-disc brakes seldom, if ever, require attention. That's just for starters. The list of 444K maintenance-minimizing features — and your owning and operating cost savings — goes on and on.

1. Vertical spin-on filters allow quick, no-spill changes. 500-, 2,000-, and 4,000-hour engine, transmission, and hydraulic oil-change intervals help reduce operating costs.
2. If something goes wrong, the easy-to-navigate LCD monitor displays diagnostic messages, and even offers possible solutions to help get you back up and running quickly.
3. Color-coded fluid-sample and diagnostic test ports help speed preventative maintenance and troubleshooting. Noninvasive design helps keep out contaminants.
4. Conveniently located, easy-to-read sight gauges and see-through reservoirs let you check transmission, hydraulic, coolant, and windshield washer fluid levels at a glance.
5. Lockable master electrical-disconnect switch, cab circuit breaker, and remote-start terminals are enclosed beneath the right-side step, for ground-level convenience.





500-, 2,000-, and 4,000-hour engine, transmission, and hydraulic oil and filter service intervals mean more uptime.

3-mm (0.12 in.) side-shield perforations block most airborne debris. Unlike stacked coolers, Quad-Cool cores resist plugging and are easily accessible from either side, for quick cleanout.

All daily service points including fuel are conveniently grouped on the left side of the machine.

Greasing is less messy, with centralized lube banks providing easy access to difficult-to-reach zerks. Periodic lube and maintenance chart conveniently ensures that nothing gets overlooked.

Large-mouth fuel tank and nearby diesel exhaust fluid (DEF) reservoir make ground-level refilling fast and easy. Increased capacities let you work longer between fill-ups.

John Deere WorkSight™ is an exclusive suite of telematics solutions that increases uptime while lowering operating costs. At its heart, JDLink™ Ultimate machine monitoring provides real-time utilization data and alerts to help you maximize productivity and efficiency while minimizing downtime. Remote diagnostics enable your dealer to read codes, record performance data, and even update software without a trip to the jobsite.

Ultimate Uptime, featuring John Deere WorkSight, is a customizable support solution available exclusively from your Deere dealer. This flexible offering maximizes equipment availability with standard John Deere WorkSight capabilities that can help prevent future downtime and speed repairs when needed. In addition to the base John Deere WorkSight features, our dealers work with you to build an uptime package that meets the specific needs of your machine, fleet, project, and business, including customized maintenance and repair agreements, onsite parts availability, extended warranties, fluid sampling, response-time guarantees, and more.



4

5

# 444K

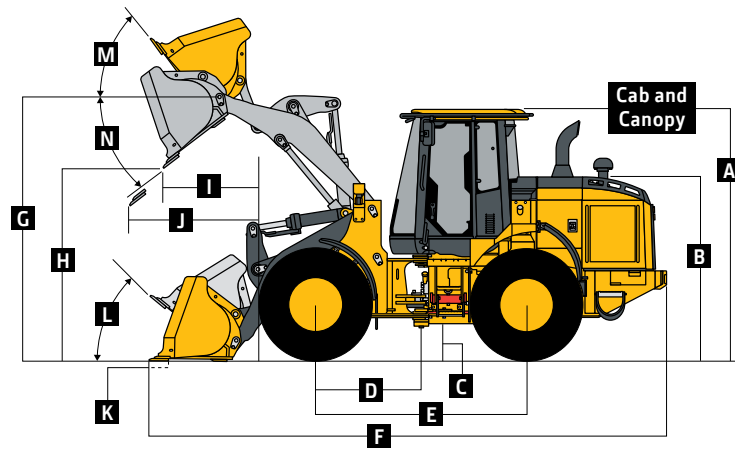
<b>Engine</b>		
<b>444K Z-BAR / HIGH-LIFT / POWERLEL™</b>		
Manufacturer and Model	John Deere PowerTech™ PSS 4045	John Deere PowerTech™ E 4045H
Non-Road Emission Standard	EPA Final Tier 4/EU Stage IV	EPA Tier 3/EU Stage IIIA
Cylinders	4	4
Valves Per Cylinder	4	2
Displacement	4.5 L (276 cu. in.)	4.5 L (276 cu. in.)
Net Peak Power (ISO 9249)	92 kW (124 hp) at 2,100 rpm	92 kW (124 hp) at 2,100 rpm
Net Peak Torque (ISO 9249)	507 Nm (374 lb.-ft.) at 1,000 rpm	507 Nm (374 lb.-ft.) at 1,000 rpm
Net Torque Rise	34%	36%
Fuel System (electronically controlled)	High-pressure common rail	High-pressure common rail
Lubrication	Full-flow spin-on filter and integral cooler	Full-flow spin-on filter and integral cooler
Aspiration	Turbocharged, charge air cooled	Turbocharged, charge air cooled
Air Cleaner	Under-hood, dual-element dry type, restriction indicator in cab monitor for service	
<b>Cooling</b>		
Fan Drive	Hydraulically driven, proportionally controlled, fan aft of coolers	
<b>Electrical</b>		
Electrical System	24 volt with 100-amp (130-amp optional) alternator	24 volt with 80-amp (100-amp optional) alternator
Batteries (2 – 12 volt)	950 CCA (each)	950 CCA (each)
<b>Transmission System</b>		
Type	Countershaft-type PowerShift™	
Torque Converter	Single stage, single phase	
Shift Control	Electronically modulated, adaptive, load and speed dependent	
Operator Interface	Steering-column or joystick-mounted F-N-R and gear-select lever; kick-down button on hydraulic lever	
Shift Modes	Manual/auto (1st–D or 2nd–D); Quick-Shift button with 2 selectable modes: kick-down or kick-up/down; and adaptive clutch cutoff	
Maximum Travel Speeds (with 17.5 R 25 tires)	<i>Forward</i>	<i>Reverse</i>
Range 1	7.3 km/h (4.5 mph)	7.6 km/h (4.7 mph)
Range 2	12.1 km/h (7.5 mph)	13.0 km/h (8.1 mph)
Range 3	23.1 km/h (14.4 mph)	24.2 km/h (15.0 mph)
Range 4	36.0 km/h (22.4 mph)	N/A
<b>Axles/Brakes</b>		
Final Drives	Heavy-duty midboard planetary	
Differentials	Hydraulic locking front with conventional rear – standard; dual locking front and rear – optional	
Rear Axle Oscillation, Stop to Stop (with 17.5 R 25 tires)	24 deg. (12 deg. each direction)	
Service Brakes (conform to ISO 3450)	Outboard, forced oil cooled, multi disc	
Parking Brakes (conform to ISO 3450)	Automatic spring applied, hydraulically released, driveline mounted, sealed wet multi disc	
<b>Tires/Wheels (see page 20 for complete tire adjustments)</b>		
	<i>Tread Width</i>	<i>Width Over Tires</i>
Michelin 17.5 R 25, 1 Star L-3	1900 mm (74.8 in.)	2415 mm (95.1 in.)
<b>Serviceability</b>		
Refill Capacities	EPA FT4/EU Stage IV	EPA Tier 3/EU Stage IIIA
Fuel Tank (with lockable cap)	220 L (60 gal.)	220 L (60 gal.)
Cooling System	19 L (20 qt.)	19 L (20 qt.)
Diesel Exhaust Fluid (DEF)	19 L (20 qt.)	N/A
Engine Oil with Vertical Spin-On Filter	14.5 L (15.3 qt.)	17.5 L (18.5 qt.)
Transmission Reservoir with Vertical Filter	18.5 L (19.5 qt.)	18.5 L (19.5 qt.)
Axle Oil (front and rear, each)	22 L (23 qt.)	22 L (23 qt.)
Hydraulic Reservoir and Filter	118.7 L (31.4 gal.)	92 L (24.3 gal.)
Park Brake Oil (wet disc)	0.3 L (10 oz.)	0.3 L (10 oz.)
<b>Hydraulic System/Steering</b>		
Pump (loader and steering)	Variable-displacement, axial-piston pump; closed-center, pressure-compensating system	
Maximum Rated Flow at 6895 kPa (1,000 psi) and 2,350 rpm	140 L/m (37 gpm)	
System Relief Pressure (loader and steering)	24 821 kPa (3,600 psi)	
Loader Controls	2-function valve; joystick control or fingertip controls; hydraulic-function enable/disable; optional 3rd- and 4th-function valve with auxiliary lever	
Steering (conforms to ISO 5010)	Steering-column-mounted, twist-grip shift lever; Quick-Shift button on hydraulic lever	
Type	Power, fully hydraulic	
Articulation Angle	80-deg. arc (40 deg. each direction)	
Turning Radius (measured to centerline of outside tire)	4.74 m (15 ft. 7 in.)	





Hydraulic System/Steering <i>(continued)</i>	444K Z-BAR / HIGH-LIFT / POWERLIFT	
Hydraulic Cycle Times	Z-Bar / High-Lift	Powerlift
Raise	5.9 sec.	5.3 sec.
Dump	1.0 sec.	1.1 sec.
Lower (float down)	2.4 sec.	1.9 sec.
Total	9.3 sec.	8.3 sec.

**Dimensions and Specifications with Pin-On Bucket**



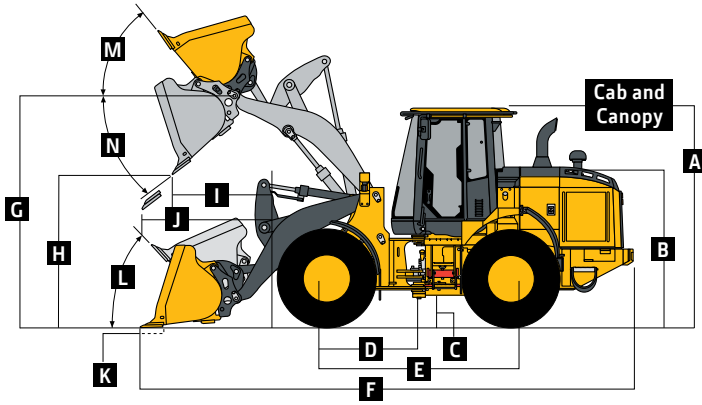
**444K Z-BAR AND HIGH-LIFT LOADERS WITH PIN-ON BUCKET**

	Z-Bar	High-Lift
<b>Dimensions with Bucket</b>	1.9-m <sup>3</sup> (2.5 cu. yd.) general-purpose with bolt-on edge	1.9-m <sup>3</sup> (2.5 cu. yd.) general-purpose with bolt-on edge
A Height to Top of Cab and Canopy	3.17 m (10 ft. 5 in.)	3.17 m (10 ft. 5 in.)
B Hood Height	2.27 m (7 ft. 5 in.)	2.27 m (7 ft. 5 in.)
C Ground Clearance	393 mm (15.5 in.)	393 mm (15.5 in.)
D Length from Centerline to Front Axle	1.37 m (4 ft. 6 in.)	1.37 m (4 ft. 6 in.)
E Wheelbase	2.76 m (9 ft. 6 in.)	2.76 m (9 ft. 6 in.)
F Overall Length, Bucket on Ground	6.86 m (22 ft. 6 in.)	7.20 m (23 ft. 7 in.)
G Height to Hinge Pin, Fully Raised	3.60 m (11 ft. 10 in.)	3.99 m (13 ft. 1 in.)
H Dump Clearance, 45 deg., Full Height	2.67 m (8 ft. 9 in.)	3.03 m (9 ft. 11 in.)
I Reach, 45-deg. Dump, Full Height	1.04 m (3 ft. 5 in.)	1.04 m (3 ft. 5 in.)
J Reach, 45-deg. Dump, 2.13-m (7 ft. 0 in.) Clearance	1.44 m (4 ft. 9 in.)	1.74 m (5 ft. 9 in.)
K Maximum Digging Depth	105 mm (4.1 in.)	105 mm (4.1 in.)
L Maximum Rollback at Ground Level	41 deg.	41 deg.
M Maximum Rollback, Boom Fully Raised	55 deg.	50 deg.
N Maximum Bucket Dump Angle, Fully Raised	50 deg.	45 deg.
Loader Clearance Circle, Bucket Carry Position	11.07 m (36 ft. 4 in.)	11.39 m (37 ft. 5 in.)
<b>Specifications with Bucket</b>		
Capacity, Heaped	1.9 m <sup>3</sup> (2.5 cu. yd.)	1.9 m <sup>3</sup> (2.5 cu. yd.)
Capacity, Struck	1.6 m <sup>3</sup> (2.1 cu. yd.)	1.6 m <sup>3</sup> (2.1 cu. yd.)
Bucket Weight with Bolt-On Cutting Edge	888 kg (1,958 lb.)	888 kg (1,958 lb.)
Bucket Width	2.54 m (8 ft. 4 in.)	2.54 m (8 ft. 4 in.)
Breakout Force	7960 kg (17,549 lb.)	7345 kg (16,193 lb.)
Tipping Load, Straight, No Tire Deflection	9263 kg (20,421 lb.)	7955 kg (17,538 lb.)
Tipping Load, Straight, with Tire Deflection	8736 kg (19,260 lb.)	7545 kg (16,634 lb.)
Tipping Load, 40-deg. Full Turn, No Tire Deflection	8080 kg (17,813 lb.)	6914 kg (15,243 lb.)
Tipping Load, 40-deg. Full Turn, with Tire Deflection	7437 kg (16,396 lb.)	6399 kg (14,107 lb.)
Rated Operating Load, 50% Full-Turn Tipping Load, No Tire Deflection (conforms to ISO 14397-1)*	4040 kg (8,907 lb.)	3457 kg (7,621 lb.)
Rated Operating Load, 50% Full-Turn Tipping Load, with Tire Deflection (conforms to ISO 14397-1)*	3718 kg (8,197 lb.)	3199 kg (7,053 lb.)
Operating Weight	11 350 kg (25,022 lb.)	11 538 kg (25,360 lb.)

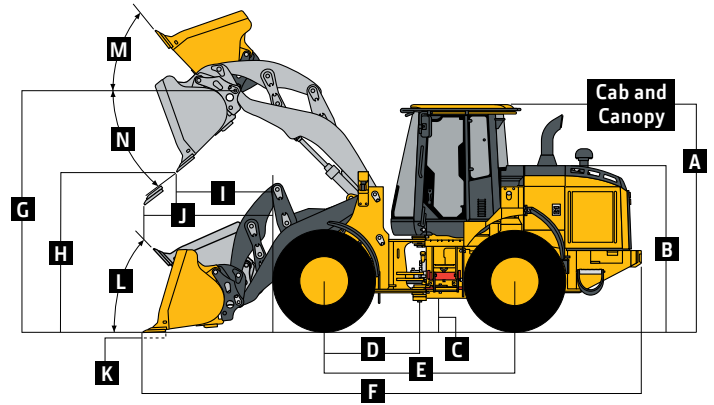
Loader operating information is based on machine with identified linkage and standard equipment, PowerTech PSS 4045 (EPA Final Tier 4/EU Stage IV) engine, ROPS cab, rear cast bumper/counterweight, transmission side-frame guards, bottom guards, standard tires, full fuel tank, and 79-kg (175 lb.) operator. This information is affected by changes in tires, ballast, and different attachments.

\*Rated operating capacity based on Deere attachments only.

**Dimensions and Specifications with Hi-Vis Coupler and Hook-On Bucket** 444K Z-BAR / HIGH-LIFT / POWERLLEL



**444K Z-BAR AND HIGH-LIFT LOADERS WITH QUICK-COUPLER AND HOOK-ON BUCKET**



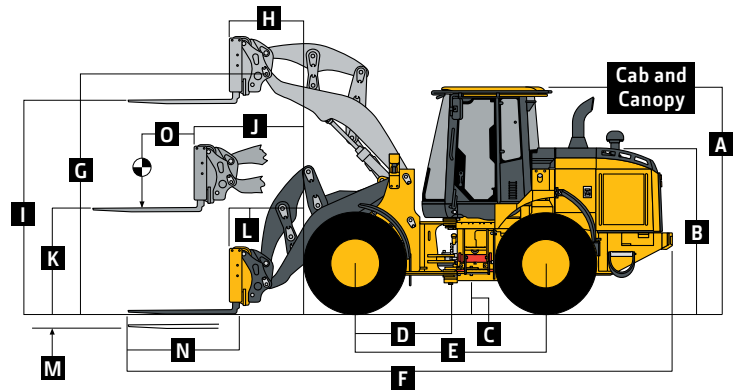
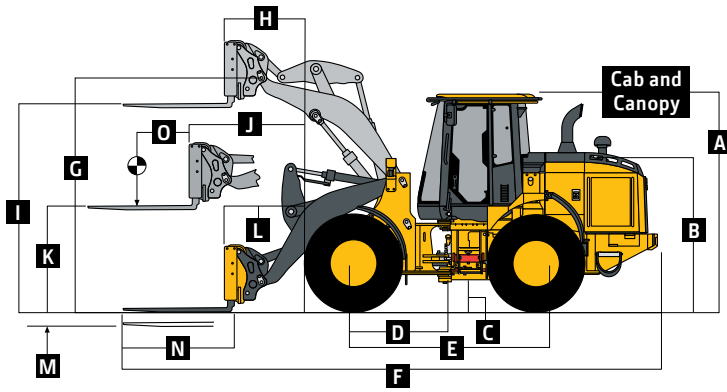
**444K POWERLLEL LOADER WITH QUICK-COUPLER AND HOOK-ON BUCKET**

	Z-Bar	Z-Bar	High-Lift	High-Lift	Powerllec	Powerllec
<b>Dimensions with Bucket</b>	1.9-m <sup>3</sup> (2.5 cu. yd.) <i>general-purpose with bolt-on edge</i>	3.1-m <sup>3</sup> (4.0 cu. yd.) <i>light-material with bolt-on edge</i>	1.9-m <sup>3</sup> (2.5 cu. yd.) <i>general-purpose with bolt-on edge</i>	3.1-m <sup>3</sup> (4.0 cu. yd.) <i>light-material with bolt-on edge</i>	1.9-m <sup>3</sup> (2.5 cu. yd.) <i>general-purpose with bolt-on edge</i>	3.1-m <sup>3</sup> (4.0 cu. yd.) <i>light-material with bolt-on edge</i>
<b>A</b> Height to Top of Cab and Canopy	3.17 m (10 ft. 5 in.)	3.17 m (10 ft. 5 in.)	3.17 m (10 ft. 5 in.)	3.17 m (10 ft. 5 in.)	3.17 m (10 ft. 5 in.)	3.17 m (10 ft. 5 in.)
<b>B</b> Hood Height	2.27 m (7 ft. 5 in.)	2.27 m (7 ft. 5 in.)	2.27 m (7 ft. 5 in.)	2.27 m (7 ft. 5 in.)	2.27 m (7 ft. 5 in.)	2.27 m (7 ft. 5 in.)
<b>C</b> Ground Clearance	393 mm (15.5 in.)	393 mm (15.5 in.)	393 mm (15.5 in.)	393 mm (15.5 in.)	393 mm (15.5 in.)	393 mm (15.5 in.)
<b>D</b> Length from Centerline to Front Axle	1.37 m (4 ft. 6 in.)	1.37 m (4 ft. 6 in.)	1.37 m (4 ft. 6 in.)	1.37 m (4 ft. 6 in.)	1.37 m (4 ft. 6 in.)	1.37 m (4 ft. 6 in.)
<b>E</b> Wheelbase	2.76 m (9 ft. 6 in.)	2.76 m (9 ft. 1 in.)	2.76 m (9 ft. 6 in.)	2.76 m (9 ft. 1 in.)	2.76 m (9 ft. 6 in.)	2.76 m (9 ft. 1 in.)
<b>F</b> Overall Length, Bucket on Ground	7.05 m (23 ft. 1 in.)	7.31 m (23 ft. 11.8 in.)	7.38 m (24 ft. 3 in.)	7.63 m (25 ft. 0 in.)	7.15 m (23 ft. 5 in.)	7.40 m (24 ft. 3 in.)
<b>G</b> Height to Hinge Pin, Fully Raised	3.60 m (11 ft. 10 in.)	3.60 m (11 ft. 10 in.)	3.99 m (13 ft. 1 in.)	3.99 m (13 ft. 1 in.)	3.67 m (12 ft. 0 in.)	3.67 m (12 ft. 0 in.)
<b>H</b> Dump Clearance, 45 deg., Full Height	2.54 m (8 ft. 4 in.)	2.34 m (7 ft. 8 in.)	2.90 m (9 ft. 6 in.)	2.71 m (8 ft. 11 in.)	2.58 m (8 ft. 5 in.)	2.36 m (7 ft. 9 in.)
<b>I</b> Reach, 45-deg. Dump, Full Height	1.15 m (3 ft. 9 in.)	1.23 m (4 ft. 0 in.)	1.15 m (3 ft. 9 in.)	1.26 m (4 ft. 2 in.)	1.14 m (3 ft. 9 in.)	1.32 m (4 ft. 4 in.)
<b>J</b> Reach, 45-deg. Dump, 2.13-m (7 ft. 0 in.) Clearance	1.47 m (4 ft. 10 in.)	1.41 m (4 ft. 7.5 in.)	1.78 m (5 ft. 10 in.)	1.75 m (5 ft. 9 in.)	1.51 m (4 ft. 11 in.)	1.52 m (5 ft. 0 in.)
<b>K</b> Maximum Digging Depth	139 mm (5.0 in.)	258 mm (10.0 in.)	148 mm (5.8 in.)	258 mm (10.0 in.)	119 mm (4.7 in.)	260 mm (10.2 in.)
<b>L</b> Maximum Rollback at Ground Level	41 deg.	41 deg.	41 deg.	40 deg.	43 deg.	43 deg.
<b>M</b> Maximum Rollback, Boom Fully Raised	55 deg.	56 deg.	49 deg.	51 deg.	51 deg.	53 deg.
<b>N</b> Maximum Bucket Dump Angle, Fully Raised	50 deg.	49 deg.	45 deg.	45 deg.	50 deg.	48 deg.
Loader Clearance Circle, Bucket Carry Position	11.19 m (36 ft. 9 in.)	11.65 m (38 ft. 3 in.)	11.47 m (37 ft. 7 in.)	11.93 m (39 ft. 2 in.)	11.23 m (36 ft. 10 in.)	11.78 m (38 ft. 8 in.)
<b>Specifications with Bucket</b>						
Capacity, Heaped	1.9 m <sup>3</sup> (2.5 cu. yd.)	3.1 m <sup>3</sup> (4.0 cu. yd.)	1.9 m <sup>3</sup> (2.5 cu. yd.)	3.1 m <sup>3</sup> (4.0 cu. yd.)	1.9 m <sup>3</sup> (2.5 cu. yd.)	3.1 m <sup>3</sup> (4.0 cu. yd.)
Capacity, Struck	1.6 m <sup>3</sup> (2.1 cu. yd.)	2.59 m <sup>3</sup> (3.4 cu. yd.)	1.6 m <sup>3</sup> (2.1 cu. yd.)	2.59 m <sup>3</sup> (3.4 cu. yd.)	1.6 m <sup>3</sup> (2.1 cu. yd.)	2.59 m <sup>3</sup> (3.4 cu. yd.)
Bucket Weight with Bolt-On Cutting Edge	1290 kg (2,844 lb.)	1627 kg (3,587 lb.)	1290 kg (2,844 lb.)	1627 kg (3,587 lb.)	1262 kg (2,782 lb.)	1638 kg (3,611 lb.)
Bucket Width	2.54 m (8 ft. 4 in.)	2.89 m (9 ft. 6 in.)	2.54 m (8 ft. 4 in.)	2.89 m (9 ft. 6 in.)	2.54 m (8 ft. 4 in.)	2.89 m (9 ft. 6 in.)
Breakout Force	6659 kg (14,681 lb.)	5451 kg (12,017 lb.)	6136 kg (13,528 lb.)	5063 kg (11,162 lb.)	6056 kg (13,352 lb.)	5562 kg (12,262 lb.)
Tipping Load, Straight, No Tire Deflection	8320 kg (18,342 lb.)	7792 kg (17,178 lb.)	7136 kg (15,732 lb.)	6634 kg (14,625 lb.)	7272 kg (16,032 lb.)	6708 kg (14,788 lb.)
Tipping Load, Straight, with Tire Deflection	7839 kg (17,282 lb.)	7314 kg (16,125 lb.)	6756 kg (14,894 lb.)	6252 kg (13,783 lb.)	6879 kg (15,166 lb.)	6321 kg (13,935 lb.)
Tipping Load, 40-deg. Full Turn, No Tire Deflection	7209 kg (15,893 lb.)	6701 kg (14,773 lb.)	6151 kg (13,561 lb.)	5668 kg (12,496 lb.)	6270 kg (13,823 lb.)	5733 kg (12,639 lb.)
Tipping Load, 40-deg. Full Turn, with Tire Deflection	6615 kg (14,584 lb.)	6108 kg (13,466 lb.)	5676 kg (12,513 lb.)	5196 kg (11,455 lb.)	5778 kg (12,738 lb.)	5250 kg (11,574 lb.)
Rated Operating Load, 50% Full-Turn Tipping Load, No Tire Deflection (conforms to ISO 14397-1)*	3604 kg (7,945 lb.)	3350 kg (7,385 lb.)	3076 kg (6,781 lb.)	2834 kg (6,248 lb.)	3135 kg (6,911 lb.)	2867 kg (6,321 lb.)
Rated Operating Load, 50% Full-Turn Tipping Load, with Tire Deflection (conforms to ISO 14397-1)*	3307 kg (7,291 lb.)	3054 kg (6,733 lb.)	2838 kg (6,257 lb.)	2598 kg (5,728 lb.)	2889 kg (6,369 lb.)	2625 kg (5,787 lb.)
Operating Weight	11 752 kg (25,909 lb.)	12 088 kg (26,649 lb.)	11 940 kg (26,323 lb.)	12 277 kg (27,066 lb.)	12 412 kg (27,364 lb.)	12 748 kg (28,104 lb.)

Loader operating information is based on machine with identified linkage and standard equipment, PowerTech PSS 4045 (EPA Final Tier 4/EU Stage IV) engine, ROPS cab, rear cast bumper/counterweight, transmission side-frame guards, bottom guards, standard tires, full fuel tank, and 79-kg (175 lb.) operator. This information is affected by changes in tires, ballast, and different attachments.

\*Rated operating capacity based on Deere attachments only.

**Dimensions and Specifications with Hi-Vis Coupler and Construction Forks 444K Z-BAR / HIGH-LIFT / POWERLLEL**



**444K Z-BAR AND HIGH-LIFT LOADERS WITH QUICK-COUPLER AND HOOK-ON CONSTRUCTION FORKS**

**444K POWERLLEL LOADER WITH QUICK-COUPLER AND HOOK-ON CONSTRUCTION FORKS**

	Z-Bar 1.22-m (48 in.) tine length	Z-Bar 1.52-m (60 in.) tine length	High-Lift 1.22-m (48 in.) tine length	High-Lift 1.52-m (60 in.) tine length	Powerllel 1.22-m (48 in.) tine length	Powerllel 1.52-m (60 in.) tine length
<b>Dimensions with Forks</b>						
<b>A</b> Height to Top of Cab and Canopy	3.17 m (10 ft. 5 in.)	3.17 m (10 ft. 5 in.)	3.17 m (10 ft. 5 in.)	3.17 m (10 ft. 5 in.)	3.17 m (10 ft. 5 in.)	3.17 m (10 ft. 5 in.)
<b>B</b> Hood Height	2.27 m (7 ft. 5 in.)	2.27 m (7 ft. 5 in.)	2.27 m (7 ft. 5 in.)	2.27 m (7 ft. 5 in.)	2.27 m (7 ft. 5 in.)	2.27 m (7 ft. 5 in.)
<b>C</b> Ground Clearance	393 mm (15.5 in.)	393 mm (15.5 in.)	393 mm (15.5 in.)	393 mm (15.5 in.)	393 mm (15.5 in.)	393 mm (15.5 in.)
<b>D</b> Length from Centerline to Front Axle	1.37 m (4 ft. 6 in.)	1.37 m (4 ft. 6 in.)	1.37 m (4 ft. 6 in.)	1.37 m (4 ft. 6 in.)	1.37 m (4 ft. 6 in.)	1.37 m (4 ft. 6 in.)
<b>E</b> Wheelbase	2.76 m (9 ft. 6 in.)	2.76 m (9 ft. 6 in.)	2.76 m (9 ft. 6 in.)	2.76 m (9 ft. 6 in.)	2.76 m (9 ft. 6 in.)	2.76 m (9 ft. 6 in.)
<b>F</b> Overall Length, Forks on Ground	7.45 m (24 ft. 5 in.)	7.77 m (25 ft. 6 in.)	7.79 m (25 ft. 7 in.)	8.09 m (26 ft. 6 in.)	7.52 m (24 ft. 8 in.)	7.82 m (25 ft. 8 in.)
<b>G</b> Height to Hinge Pin, Fully Raised	3.60 m (11 ft. 10 in.)	3.60 m (11 ft. 10 in.)	3.99 m (13 ft. 1 in.)	3.99 m (13 ft. 1 in.)	3.67 m (12 ft. 0 in.)	3.67 m (12 ft. 0 in.)
<b>H</b> Reach, Fully Raised	0.86 m (34 in.)	0.86 m (34 in.)	0.86 m (34 in.)	0.86 m (34 in.)	0.86 m (34 in.)	0.86 m (34 in.)
<b>I</b> Fork Height, Fully Raised	3.44 m (11 ft. 3 in.)	3.44 m (11 ft. 3 in.)	3.79 m (12 ft. 5 in.)	3.79 m (12 ft. 5 in.)	3.51 m (11 ft. 6 in.)	3.51 m (11 ft. 6 in.)
<b>J</b> Maximum Reach, Fork Level	1.57 m (5 ft. 2 in.)	1.57 m (5 ft. 2 in.)	1.84 m (6 ft. 0 in.)	1.84 m (6 ft. 0 in.)	1.63 m (5 ft. 4 in.)	1.63 m (5 ft. 4 in.)
<b>K</b> Fork Height, Maximum Reach	1.69 m (5 ft. 6 in.)	1.69 m (5 ft. 6 in.)	1.70 m (5 ft. 7 in.)	1.70 m (5 ft. 7 in.)	1.73 m (5 ft. 8 in.)	1.73 m (5 ft. 8 in.)
<b>L</b> Reach, Ground Level	0.97 m (3 ft. 2 in.)	0.97 m (3 ft. 2 in.)	1.31 m (4 ft. 4 in.)	1.31 m (4 ft. 4 in.)	0.96 m (3 ft. 2 in.)	0.96 m (3 ft. 2 in.)
<b>M</b> Depth Below Ground	107 mm (4.2 in.)	107 mm (4.2 in.)	16 mm (0.6 in.)	16 mm (0.6 in.)	2 mm (0.1 in.)	2 mm (0.1 in.)
<b>N</b> Tine Length	1.22 m (48 in.)	1.52 m (60 in.)	1.22 m (48 in.)	1.52 m (60 in.)	1.22 m (48 in.)	1.52 m (60 in.)
<b>O</b> Load Position, 50% Tine Length	0.61 m (24 in.)	0.76 m (30 in.)	0.61 m (24 in.)	0.76 m (30 in.)	0.61 m (24 in.)	0.76 m (30 in.)
<b>Specifications with Forks</b>						
Tipping Load, Straight, No Tire Deflection	6162 kg (13,585 lb.)	5806 kg (12,800 lb.)	5567 kg (12,273 lb.)	5263 kg (11,603 lb.)	5796 kg (12,778 lb.)	5472 kg (12,064 lb.)
Tipping Load, Straight, with Tire Deflection	5979 kg (13,181 lb.)	5637 kg (12,427 lb.)	5409 kg (11,925 lb.)	5118 kg (11,283 lb.)	5613 kg (12,374 lb.)	5301 kg (11,687 lb.)
Tipping Load, 40-deg. Full Turn, No Tire Deflection	5360 kg (11,817 lb.)	5044 kg (11,120 lb.)	4823 kg (10,633 lb.)	4554 kg (10,040 lb.)	5022 kg (11,072 lb.)	4734 kg (10,437 lb.)
Tipping Load, 40-deg. Full Turn, with Tire Deflection	5115 kg (11,277 lb.)	4818 kg (10,622 lb.)	4611 kg (10,165 lb.)	4359 kg (9,610 lb.)	4791 kg (10,562 lb.)	4512 kg (9,947 lb.)
Rated Operating Load, 50% Full-Turn Tipping Load, with Tire Deflection (conforms to ISO 14397-1 and SAE J1197)*	2557 kg (5,637 lb.)	2409 kg (5,311 lb.)	2305 kg (5,082 lb.)	2179 kg (4,804 lb.)	2395 kg (5,280 lb.)	2256 kg (4,977 lb.)
Rated Operating Load, Rough Terrain, 60% Full-Turn Tipping Load, with Tire Deflection (conforms to EN474-3)*	3069 kg (6,766 lb.)	2891 kg (6,374 lb.)	2767 kg (6,100 lb.)	2615 kg (5,765 lb.)	2874 kg (6,336 lb.)	2707 kg (5,968 lb.)
Rated Operating Load, Firm and Level Ground, 80% Full-Turn Tipping Load, with Tire Deflection (conforms to EN474-3)*	4092 kg (9,021 lb.)	3854 kg (8,497 lb.)	3689 kg (8,133 lb.)	3487 kg (7,687 lb.)	3833 kg (8,450 lb.)	3610 kg (7,959 lb.)
Operating Weight	11 450 kg (25,243 lb.)	11 493 kg (25,338 lb.)	11 638 kg (25,657 lb.)	11 681 kg (25,752 lb.)	12 121 kg (26,722 lb.)	12 164 kg (26,817 lb.)

Loader operating information is based on machine with identified linkage and standard equipment, PowerTech PSS 4045 (EPA Final Tier 4/EU Stage IV) engine, ROPS cab, rear cast bumper/counterweight, transmission side-frame guards, bottom guards, standard tires, full fuel tank, and 79-kg (175 lb.) operator. This information is affected by changes in tires, ballast, and different attachments.

\*Rated operating capacity based on Deere attachments only.

**Adjustments to Operating Weights and Tipping Loads with Buckets**

**444K Z-BAR / HIGH-LIFT / POWERLLEL**

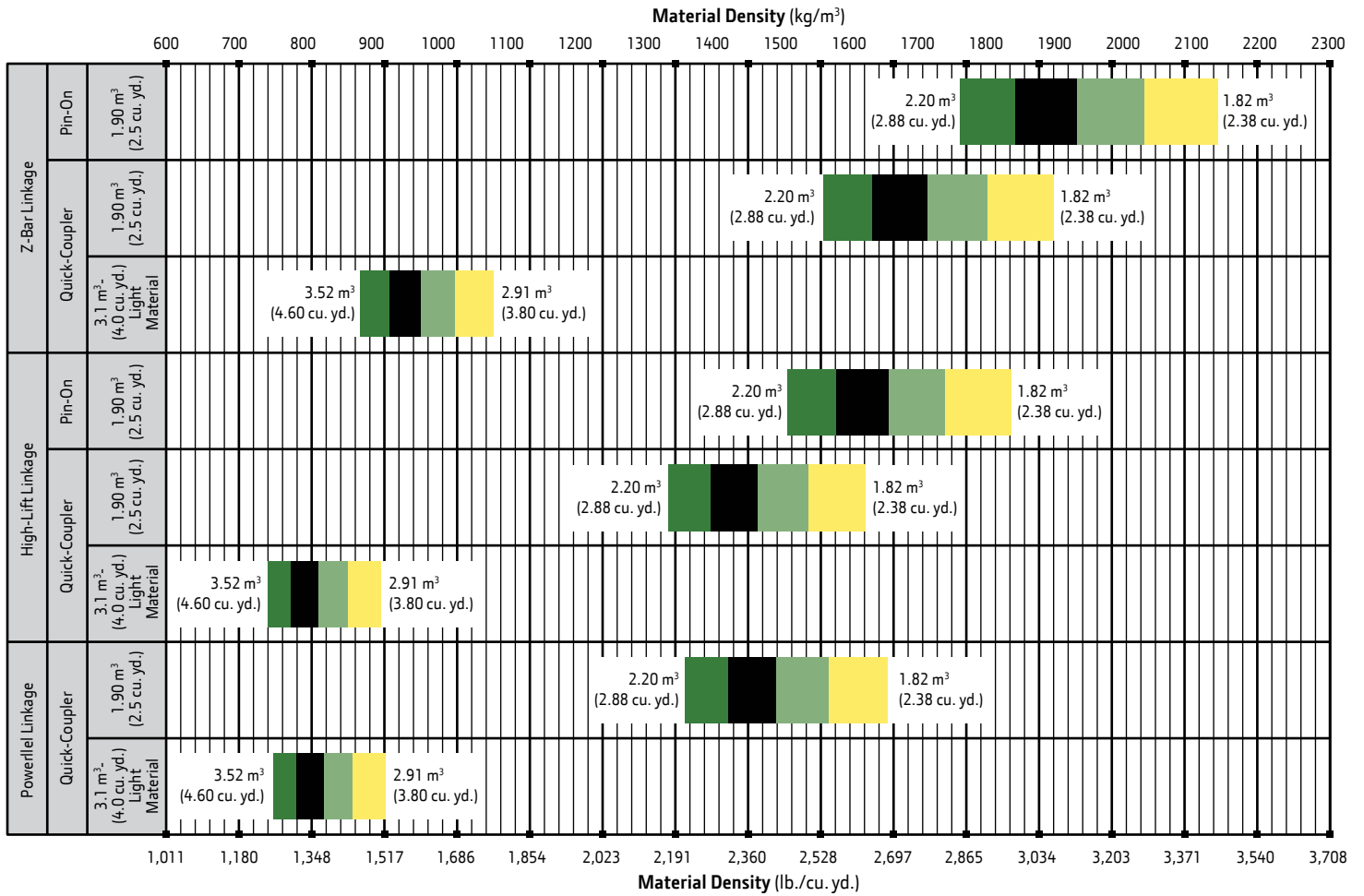
Adjustments to operating weights, tipping loads, and tires are based on Z-Bar machine with pin-on 1.9-m<sup>3</sup> (2.5 cu. yd.) general-purpose bucket with bolt-on cutting edge, ROPS cab, rear cast bumper/counterweight, transmission side-frame guards, bottom guards, standard tires, full fuel tank, and 79-kg (175 lb.) operator\*

Add (+) or deduct (-) kg (lb.) as indicated for loaders with 3-piece rims	Operating Weight	Tipping Load, Straight	Tipping Load, 40-deg. Full Turn	Tread Width	Width Over Tires	Vertical Height
John Deere PowerTech PSS 4045	0 kg (0 lb.)	0 kg (0 lb.)	0 kg (0 lb.)	N/A	N/A	N/A
John Deere PowerTech E 4045H						
Z-Bar	+63 kg (+139 lb.)	+277 kg (+610 lb.)	+222 kg (+489 lb.)	N/A	N/A	N/A
High-Lift	+24 kg (+53 lb.)	+157 kg (+346 lb.)	+123 kg (+271 lb.)	N/A	N/A	N/A
Michelin 17.5 R 25, 1 Star L-3	0 kg (0 lb.)	0 kg (0 lb.)	0 kg (0 lb.)	0 mm (0 in.)	0 mm (0 in.)	0 mm (0 in.)
Michelin 17.5 R 25, 1 Star L-2	-100 kg (-220 lb.)	-71 kg (-157 lb.)	-64 kg (-141 lb.)	0 mm (0 in.)	+10 mm (+0.4 in.)	-4 mm (-0.2 in.)
Bridgestone 17.5 R 25, 1 Star L-2	+32 kg (+71 lb.)	+23 kg (+50 lb.)	+20 kg (+44 lb.)	0 mm (0 in.)	+10 mm (+0.4 in.)	-4 mm (-0.2 in.)
Titan 17.5 R 25, 1 Star L-2	-32 kg (-71 lb.)	-23 kg (-50 lb.)	-20 kg (-44 lb.)	0 mm (0 in.)	+10 mm (+0.4 in.)	-4 mm (-0.2 in.)
Firestone 17.5-25, 12 PR L-3	-184 kg (-406 lb.)	-130 kg (-287 lb.)	-118 kg (-260 lb.)	0 mm (0 in.)	-9 mm (-0.4 in.)	+6 mm (+0.2 in.)
Firestone 17.5-25, 12 PR L-2	-176 kg (-388 lb.)	-125 kg (-275 lb.)	-113 kg (-249 lb.)	0 mm (0 in.)	-9 mm (-0.4 in.)	+5 mm (+0.2 in.)
Firestone 20.5-25, 12 PR L-2 <sup>§</sup>	+56 kg (+123 lb.)	+40 kg (+88 lb.)	+36 kg (+79 lb.)	+50 mm (+2 in.)	+124 mm (+4.9 in.)	+66 mm (+2.6 in.)
Titan 20.5-25, 12 PR L-2 <sup>§</sup>	+96 kg (+212 lb.)	+68 kg (+150 lb.)	+61 kg (+134 lb.)	+50 mm (+2 in.)	+124 mm (+4.9 in.)	+66 mm (+2.6 in.)
Michelin 20.5 R 25, 1 Star L-2 <sup>§</sup>	+204 kg (+450 lb.)	+145 kg (+320 lb.)	+130 kg (+287 lb.)	+50 mm (+2 in.)	+118 mm (+4.6 in.)	+58 mm (+2.3 in.)
Bridgestone 20.5 R 25, 1 Star L-2 <sup>§</sup>	+296 kg (+653 lb.)	+211 kg (+464 lb.)	+189 kg (+417 lb.)	+50 mm (+2 in.)	+118 mm (+4.6 in.)	+58 mm (+2.3 in.)
Titan 20.5 R 25, 1 Star L-2 <sup>§</sup>	+276 kg (+608 lb.)	+196 kg (+433 lb.)	+176 kg (+388 lb.)	+50 mm (+2 in.)	+118 mm (+4.6 in.)	+58 mm (+2.3 in.)
Michelin 20.5 R 25 L2 Sno-Plus <sup>§</sup>	+260 kg (+573 lb.)	+185 kg (+408 lb.)	+163 kg (+359 lb.)	+50 mm (+2 in.)	+86 mm (+3.4 in.)	+63 mm (+2.5 in.)
CaCl <sub>2</sub> in 17.5-25 Rear Tires, 75% Fill	+537 kg (+1,183 lb.)	+639 kg (+1,409 lb.)	+564 kg (+1,243 lb.)	N/A	N/A	N/A

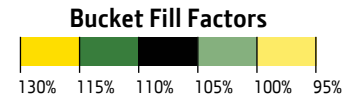
\*May change based on vehicle configuration, weight, or tire-pressure adjustments.

<sup>§</sup>CaCl<sub>2</sub> not recommended.

<sup>§</sup>Requires 8-deg. rear axle stops.



LOOSE MATERIALS	kg/m³	lb./cu. yd.	LOOSE MATERIALS	kg/m³	lb./cu. yd.
Chips, pulpwood	288	486	Limestone, coarse, sized	1570	2,646
Cinders (coal, ashes, clinkers)	673	1,134	Limestone, mixed sizes	1682	2,835
Clay and gravel, dry	1602	2,700	Limestone, pulverized or crushed	1362	2,295
Clay, compact, solid	1746	2,943	Sand, damp	2083	3,510
Clay, dry in lump loose	1009	1,701	Sand, dry	1762	2,970
Clay, excavated in water	1282	2,160	Sand, voids, full of water	2083	3,510
Coal, anthracite, broken, loose	865	1,458	Sandstone, quarried	1314	2,214
Coal, bituminous, moderately wet	801	1,350	Shale, broken crushed	1362	2,295
Earth, common loam, dry	1218	2,052	Slag, furnace granulated	1955	3,294
Earth, mud, packed	1843	3,105	Stone or gravel, 37.5 to 87.5-mm (1.5 to 3.5") size	1442	2,430
Granite, broken	1538	2,592	Stone or gravel, 18.75-mm (3/4") size	1602	2,700
Gypsum	2275	3,834			



# Additional equipment

Key: ● Standard ▲ Optional or special See your John Deere dealer for further information.

## 444K Engine

- Wet-sleeve cylinder liners
- Automatic glow plugs for cold start<sup>†</sup>
- Programmable auto-idle and auto shutdown
- Selected idle adjustment from 900–1,250 rpm
- Starter protection
- Automatic engine cool-down timer<sup>†</sup>
- Automatic derating for exceeded system temperatures
- Serpentine drive belt for automatic tensioner
- Electrical fuel-priming pump<sup>†</sup>
- Dual-stage fuel filter and water separator
- 500-hour vertical spin-on oil filter
- ▲ Chrome exhaust stack
- ▲ Automatic ether starting aid (recommended for cold starts below –12 deg. C [10 deg. F])<sup>§</sup>
- ▲ Engine-block heater (recommended for cold starts below –23 deg. C [–10 deg. F])
- ▲ Centrifugal engine air pre-cleaner

## Powertrain

- Programmable maximum high gear
- Clutch calibration engaged from monitor
- 2,000-hour vertical spin-on transmission filter
- Transmission fill tube and sight gauge
- Transmission diagnostic ports
- 4-speed transmission with non-lockup torque converter
- Front locking differential
- ▲ Rear locking differential
- ▲ Automatic differential lock
- Axle oil temperature sensing
- ▲ Wheel-spin control

## Quad-Cool™ Cooling System

- Heavy-duty, trash-resistant radiator and high-ambient cooling package
- 2-side access to all coolers
- Isolated from engine compartment
- Engine radiator
- Integral engine oil cooler
- Hydraulic oil cooler (oil to air)
- Transmission oil cooler (oil to air)
- Charge air cooler (air to air)
- Fuel cooler<sup>†</sup>
- Coolant recovery tank
- Antifreeze, –37 deg. C (–34 deg. F)
- Cool-on-demand, hydraulically driven, swing-out fan
- Enclosed fan safety guard
- ▲ Automatic reversing fan drive
- ▲ Axle and service-brake coolers

## 444K Hydraulics

- Automatic return-to-dig bucket positioner
- In-cab adjustable automatic return-to-dig bucket positioner (Powerlle™ only)
- In-cab adjustable automatic boom-height kickout/return to carry
- Reservoir with sight gauge and fill strainer
- Hydraulic diagnostic ports
- 4,000-hour in-tank filter
- 2 function — joystick with F-N-R
- ▲ 2 function — joystick with steering column F-N-R
- ▲ 2 function — 2-lever fingertip controls and steering column F-N-R
- ▲ 3 function — joystick with F-N-R and 3rd-function auxiliary lever
- ▲ 3 function — joystick with steering column F-N-R and 3rd-function auxiliary lever
- ▲ 3 function — 3-lever fingertip controls and steering column F-N-R
- ▲ 4 function — 4-lever fingertip controls and steering column F-N-R
- ▲ Ride control, automatic with monitor-adjustable speed settings
- ▲ Hydraulic control system for quick-coupler locking pins
- ▲ Hydra™ XR cold-temperature hydraulic fluid recommended below –25 deg. C. (–13 deg. F)

## Steering Systems

- Conventional steering wheel with spinner knob
- ▲ Secondary steering

## Electrical

- Solid-state electrical power-distribution system
- Lockable master electrical-disconnect switch
- Battery-terminal safety covers
- By-pass start safety cover at starter
- Remote jump-start access in battery box<sup>†</sup>
- Pre-wired for beacon/strobe light
- Lights: Halogen driving lights with guards (2) / Front (4), rear cab (2), and rear grille (2) work lights / Incandescent front turn signals and flashers / LED stop and taillights
- ▲ Heavy-duty front LED turn signal and marker lights
- ▲ Premium LED light package (all exterior lights are heavy-duty LED)
- Programmable courtesy lights
- Horn, electric
- Reverse warning alarm
- Multi-function/multi-language LCD color monitor includes: Digital instruments — Analog display (hydraulic oil temperature, engine coolant temperature, transmission oil temperature, and engine oil pressure) / Digital display (engine rpm, transmission gear/direction indicator, hour meter, fuel level, diesel exhaust fluid (DEF) level<sup>†</sup>, speedometer, odometer, and average fuel consumption)
- Integrated cycle counter with 5 categories

<sup>†</sup>Available only on EPA Final Tier 4 (FT4)/EU Stage IV engines.

<sup>§</sup>Available only on EPA Tier 3/EU Stage IIIA engines.

Net engine power is with standard equipment including air cleaner, exhaust system, alternator, and cooling fan at test conditions per ISO 9249. No derating is required up to 3050-m (10,000 ft.) altitude. Specifications and design subject to change without notice. Specifications with the exception of bucket capacity are in accordance with all applicable ISO standards. Except where otherwise noted, these specifications are based on a unit with applicable linkage and standard equipment, ROPS cab, rear cast bumper/counterweight, transmission side-frame guards, bottom guards, standard tires, full fuel tank, and 79-kg (175 lb.) operator.

# Additional equipment *(continued)*

Key: ● Standard ▲ Optional or special See your John Deere dealer for further information.

## 444K Electrical *(continued)*

- Indicator lights: Standard and selected options / Amber caution and red stop
- Operator-warning messages
- Built-in diagnostics: Diagnostic-code details / Sensor values / Calibrations / Individual circuit tester
- ▲ Electrical corrosion-prevention package
- ▲ AM/FM/Weather-Band (WB) radio with remote auxiliary port
- ▲ Premium AM/FM/WB/XM Satellite Radio™ ready radio with Bluetooth®, remote auxiliary port, and remote USB port
- 24- to 12-volt, 8-amp converter
- ▲ 24- to 12-volt, 15- or 30-amp converter and power port

## Operator's Station

- Canopy (ROPS/FOPS Level 1, isolation mounted)
- ▲ Canopy rear window
- ▲ Quiet Cab with heater (ROPS/FOPS Level 1, isolation mounted)
- ▲ Quiet Cab with air conditioning/heater (ROPS/FOPS Level 1, isolation mounted)
- Keyless start with multiple security modes
- Sealed-switch module with function indicators
- Seat with backrest extension, deep foam, vinyl cover, and adjustable air suspension
- ▲ Seat with backrest extension, deep foam, fabric cover, and adjustable air suspension
- ▲ Premium seat with high-wide back and headrest extension, heated, leather/fabric cover, and adjustable air suspension
- Hydraulic controls integrated to seat
- High-visibility, bright-orange seat belt, 76 mm (3 in.), with retractator
- Cup holders (2)
- Lunch-box/cooler holder
- ▲ Dome and reading light (included with Quiet Cab)
- ▲ 12-volt power port
- Rubber floor mat
- Tilt steering column
- Operator's manual storage compartment
- Outside (2) and inside (1) rearview mirrors
- ▲ Large heated outside mirrors
- Left-side operator-station access
- Slip-resistant steps and ergonomic handholds
- ▲ Sun visor (included with Quiet Cab)
- ▲ Radio ready (Quiet Cab only)
- ▲ Front and rear intermittent windshield wipers and washers (included with Quiet Cab)
- ▲ Powered cab air pre-cleaner
- ▲ Beacon bracket (single or dual available)
- ▲ Rearview camera
- ▲ Rear camera and radar object-detection system
- LOADRITE™ L2180™ Payload Scale Ready
- ▲ LOADRITE L2180 Payload Scale
- ▲ Embedded payload scale
- ▲ Fire extinguisher

## 444K Loader Linkage

- Z-Bar loader linkage
- ▲ High-Lift Z-Bar loader linkage
- ▲ Powerllel linkage for visibility and parallel-lift

## Buckets and Attachments

- ▲ Full line of Deere pin-on buckets
- ▲ Worksite Pro™ hydraulic coupler which accepts JRB-pattern attachments
- ▲ Hi-Vis hydraulic coupler which accepts Euro-pattern attachments (Volvo)
- ▲ Full line of Deere hook-on buckets and forks
- ▲ Bolt-on fork frame guard

## Overall Vehicle

- JDLink™ Ultimate wireless communication system (available in specific countries; see your dealer for details)
- NeverGrease™ steering-cylinder joints
- Front and rear tie-downs
- Rear cast bumper/counterweight with rear hitch and locking pin
- Articulation locking bar
- Loader boom service locking bar
- 40-deg. steering articulation to each side with rubber-cushion stops on frame
- Vandal protection with lockable engine enclosures, right counterweight storage, and filler access for radiator/fuel/DEF<sup>1</sup>/hydraulic transmission
- Left-side service steps and handholds
- ▲ Right-side service steps and handrails
- ▲ Left-side close-mounted steps
- Storage compartment
- Fuel-tank fill strainer
- Heavy-duty fuel-tank guard
- DEF<sup>1</sup> and ground-level fueling
- Same-side ground-level daily servicing
- 17.5R25 tires on 3-piece rims
- ▲ 20.5R25 tires on 3-piece rims
- Level 1 sound package<sup>§</sup>
- ▲ Level 2 sound package
- ▲ Environmental drains and sample ports
- Fenders, front
- ▲ Fenders, full-coverage, front
- ▲ Fenders, full-coverage, front and rear
- ▲ Less wheels and tires with 8-deg. axle stops
- ▲ Rims less tires
- ▲ Transmission side-frame guards
- ▲ Bottom guards, front frame and transmission
- ▲ Lift eyes
- ▲ License-plate bracket and light

<sup>1</sup>Available only on EPA Final Tier 4 (FT4)/EU Stage IV engines.

<sup>§</sup>Standard only on FT4/Stage IV engines.

Net engine power is with standard equipment including air cleaner, exhaust system, alternator, and cooling fan at test conditions per ISO 9249. No derating is required up to 3050-m (10,000 ft.) altitude. Specifications and design subject to change without notice. Specifications with the exception of bucket capacity are in accordance with all applicable ISO standards. Except where otherwise noted, these specifications are based on a unit with applicable linkage and standard equipment, ROPS cab, rear cast bumper/counterweight, transmission side-frame guards, bottom guards, standard tires, full fuel tank, and 79-kg (175 lb.) operator.



**JOHN DEERE**

